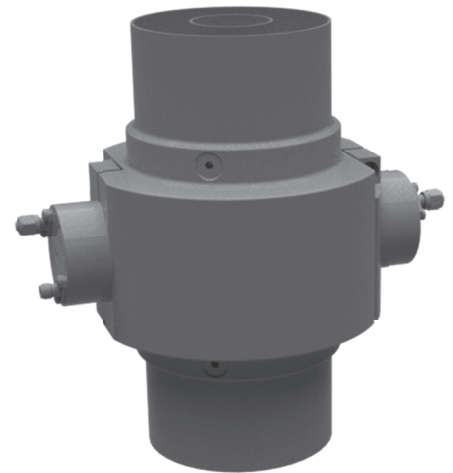


Directional coupler • 3 1/8"

Electrical Specifications

Impedance	50 Ohm
Frequency range	170-240MHz and 470-806MHz
VSWR (transmission line)	< 1.05:1
Insertion loss	Negligible
Coupling range 170-240MHz Coupling range 470-806MHz	Adj. -45dB to -60dB (flat response +/-0,1) Adj. -49dB to -63dB (flat response +/-0,1)
Directivity	> 32 dB
N° of probes (bidirectional, movable termination)	From 1 to 6
Connectors of the transmission line	Default unflanged 3 1/8 EIA 3 1/8"
Probes connectors	Default SMA female N female
Maximum power handling 170-240MHz	25kW rms
Maximum power handling 470-806MHz	16kW rms



Mechanical & Environmental Specifications

Materials	Outer conductor	Aluminium and brass
	Inner conductor	Silver plated aluminium and copper
	Isolators	PTFE
	Finishing	Chromatized & silver plating
	Screws	Stainless steel
Dimension (mm)	200 x 300 x 100	
Temperature range	-10°C to + 50°C	

