

Outdoor patch panel dividers, usually consisting of one six-port patch panel, three u-links and one divider, are widely utilized with half antenna configured by one feeder cable only.

The mentioned elements are presented in a unitised frame, and properly interconnected to enable the three different operative configurations of the antenna system, with the adequate combination of the U-links: either the total system working or each of the two half sections separately.

Indoor models are also available.

Electrical Specifications

Impedance	50 Ohm	
Frequency range and bandwidth	See models table	
VSWR	TV VHF & FM	< 1.05:1
	TV UHF	< 1.10:1 (A1+A2) < 1.07:1 (A1, A2)
Insertion loss	< 0.1 dB	
Amplitude split	- 3 +/- 0.2 dB	
Phase split	Splitter models	0° +/- 2°
Input/outputs connectors	EIA 1 5/8", 3 1/8", 4 1/2" & 6 1/8"	
Maximum power handling	According to line size	
Pressurization	Yes	



Mechanical & Environmental Specifications

Materials	Outer conductor	Copper and brass
	Inner conductor	Silver plated aluminium and copper
	Isolators	PTFE
	Finishing	Hot dip galvanizing and long lasting black paint
	Screws	Stainless steel
Temperature range	-40°C to + 80°C	

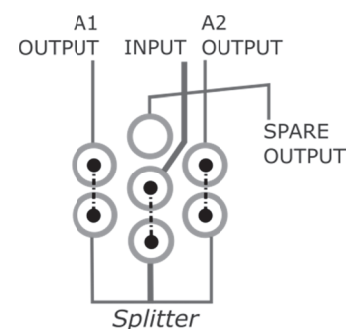
Models

Frequency Range	Number of Ports	Coaxial Size EIA 1 5/8"	Coaxial Size EIA 3 1/8"	Coaxial Size IEC 4 1/2"	Coaxial Size EIA 6 1/8"
FM BII	6	CC12-031	CC12-061	CC12-041	CC12-081
TV VHF BIII	6	CC13-031	CC13-061	CC13-041	CC13-081
DAB VHF BIII	6	CC14-031	CC14-061	CC14-041	CC14-081
TV UHF BIV-V	6	CC15-031	CC15-061	CC15-041	----

NOTE (1): Frequency range of TV VHF Band I models can be either the full working band or reduced sub-bands

Optional Accessories

Adapters at inputs and outputs	See outdoor adapters page for more information
--------------------------------	--



PATCH PANEL / DIVIDER CONFIGURATION