

UHF DTV 6 poles bandpass filter • ≤ 13 kW   

## Electrical Specifications

Filter type	Bandpass coaxial	
Order	6 with double cross coupling	
Cavity size	200 mm	
Frequency range	470-862 MHz	
Impedance	50 Ohm	
Channel bandwidth	6, 7, 8 MHz	
Maximum RMS output power handling up to 3000M ASL	BW 6, 7 MHz	BW 8 MHz
Natural Cooling (FLDV-196HS)	4 kW	5 kW
Heat Sinks (FLDV-1962HS)	6.5 kW	8 kW
Liquid Cooling (FLDV-196LC)	10 kW	13 kW
Connectors	3 1/8" unfl. / EIA 4 1/2" unfl.	
2 <sup>nd</sup> Harmonic attenuation	> 50 dB	
Thermal stability	≤ 2 kHz / °C	
Liquid Cooling option	Liquid (glycol and water coolant)	
Flow	2 l/min	
Liquid Cooling circuit input	3/8" NPT male	



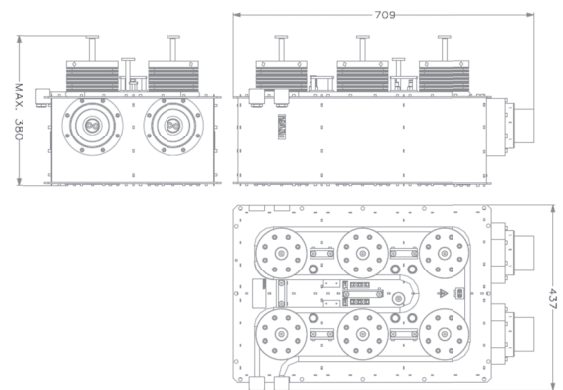
FLDV-196 model

## Mechanical & Environmental Specifications

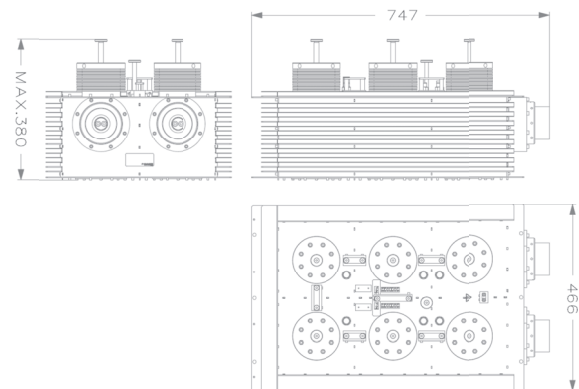
Dimensions (W x D x H)	437 x 709 x 380 mm
Weight	42 kg
Temperature range	-10°C to +50°C
Working position	Any

### Responses (1)

<b>Channel bandwidth 8 MHz (typical DVB-T/T2)</b>	
Insertion loss $f_0$	≤ 0.3 dB (470 MHz < 0.25 dB)
Insertion loss $f_0 \pm 3.8$ MHz	≤ 0.6 dB ( $f_0 \pm 3.9$ MHz < 0.8 dB)
Attenuations:	
$f_0 \pm 4.2$ MHz	> 5 dB
$f_0 \pm 6$ MHz	> 20 dB
$f_0 \pm 12$ MHz	> 45 dB
VSWR $f_0 \pm 3.8$ MHz	1.15:1 ( $f_0 \pm 3.9$ MHz < 1.20:1)
Group delay $f_0 \pm 3.8$ MHz	< 350 ns
<b>Channel bandwidth 6 MHz (typical ISDB-T)</b>	
Insertion loss $f_0$	≤ 0.4 dB (470MHz < 0.35 dB)
Insertion loss $f_0 \pm 2.79$ MHz	≤ 0.8 dB
Attenuations:	
$f_0 \pm 3.15$ MHz	> 5 dB
$f_0 \pm 4.5$ MHz	> 20 dB
$f_0 \pm 9$ MHz	> 35 dB
$f_0 \pm 12$ MHz	> 45 dB
VSWR $f_0 \pm 2.79$ MHz	1.15:1
Group delay $f_0 \pm 2.79$ MHz	< 400 ns
<b>Channel bandwidth 6 MHz (typical ATSC)</b>	
Insertion loss $f_0$	≤ 0.3 dB (470 MHz < 0.25 dB)
Insertion loss $f_0 \pm 2.69$ MHz	≤ 0.4 dB
Attenuations:	
$f_0 \pm 4$ MHz	> 20 dB
$f_0 \pm 4.5$ MHz	> 30 dB
$f_0 \pm 9$ MHz	> 45 dB
$f_0 \pm 12$ MHz	> 60 dB
VSWR $f_0 \pm 2.69$ MHz	1.1:1
Group delay $f_0 \pm 2.69$ MHz	< 200 ns



FLDV-196LC model



FLDV-1962HS model

## Optional accessories

	3 1/8"	4 1/2"
Directional couplers at inputs and outputs (see page 150)	AC15-318	AC15-412
Unflanged to flanged adapters (see page 149)	TR24-125	TR30-131
Rack mounted	√	

The filter can be field retuned to any frequency within specified band

RYMSA RF will reserve the right to make any changes without notice.

### COOLING OPTIONS:

- HS: heat sink cooling
- FA: forced air cooling (fan MTBF 70.000 hours)
- LC: liquid cooling

### NOTES:

(1): Other frequency responses can be supplied. Please, ask RYMSA RF.