
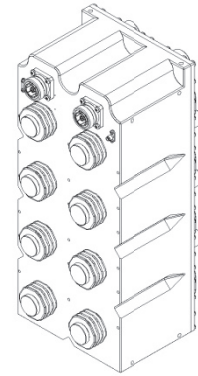


UHF DTV 8 poles bandpass filter • ≤ 600 W 
Electrical Specifications

Filter type	Bandpass coaxial	
Order	8 poles	
Cavity size	80 mm	
Frequency range	470-862 MHz	
Impedance	50 Ohm	
Channel bandwidth	6, 7, 8 MHz	
Maximum RMS output power handling up to 1500M ASL	BW 6, 7 MHz	BW 8 MHz
Natural Cooling (FLDV-028C)	400 W RMS	500 W RMS
Heat sinks (FLDV-028HSC)	475 W RMS	600 W RMS
Connectors	DIN 7/16 Female / EIA 7/8"	
Thermal stability	≤ 2 kHz / °C	


Mechanical & Environmental Specifications

Dimensions (W x D x H)	391 x 173 x 200 mm
Weight	11 kg
Temperature range	-5°C to +55°C
Working position	Any

Responses ⁽¹⁾
Channel bandwidth 8 MHz (typical DVB-T/T2)

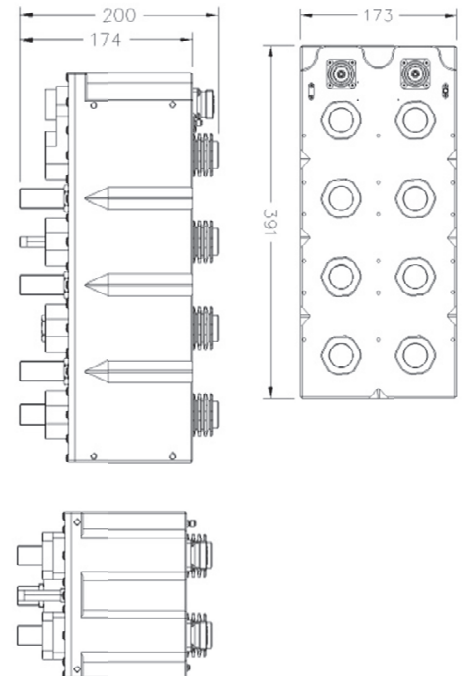
	470 MHz	800 MHz
Insertion loss $f_0 \pm$	< 0.56 dB	< 0.64 dB
Insertion loss $f_0 \pm 3.8$ MHz	< 2.00 dB	< 2.30 dB
Insertion loss $f_0 \pm 3.9$ MHz	< 3.20 dB	< 3.70 dB
Attenuations:		
$f_0 \pm 4.2$ MHz	> 14 dB	
$f_0 \pm 6$ MHz	> 30 dB	
$f_0 \pm 12$ MHz	> 51 dB	
VSWR	> 22 dB / < 1.17	
Group delay	< 800 ns	

Channel bandwidth 6 MHz (typical ISDB-T)

	470 MHz	800 MHz
Insertion loss f_0	< 0.78 dB	< 0.92 dB
Insertion loss $f_0 \pm 2.79$ MHz	< 2.55 dB	< 3.00 dB
Attenuations:		
$f_0 \pm 3.15$ MHz	> 15 dB	
$f_0 \pm 4.5$ MHz	> 31 dB	
$f_0 \pm 9$ MHz	> 61 dB	
VSWR	> 25 dB / < 1.12	
Group delay	< 700 ns	

Channel bandwidth 6 MHz (typical ATSC 3.0)

	470 MHz	800 MHz
Insertion loss f_0	< 0.73 dB	< 0.86 dB
Insertion loss $f_0 \pm 2.7$ MHz	< 2.20 dB	< 2.58 dB
Attenuations:		
$f_0 \pm 3.5$ MHz	> 15 dB	
$f_0 \pm 6$ MHz	> 45 dB	
$f_0 \pm 9$ MHz	> 63 dB	
VSWR	> 24 dB / < 1.13	
Group delay	< 600 ns	


NOTES:

(1): Other frequency responses can be supplied. Please, ask RYMSA RF.

Optional accessories

	7/16	7/8"
Directional couplers at inputs and outputs (see page 150)	AC15-716	AC15-078
Rack mounted	√	

The filter can be field returned to any frequency within specified band