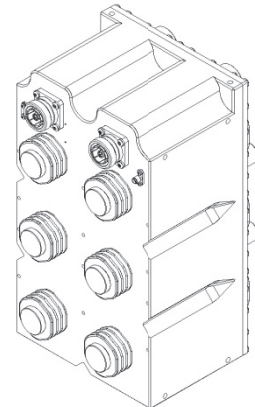
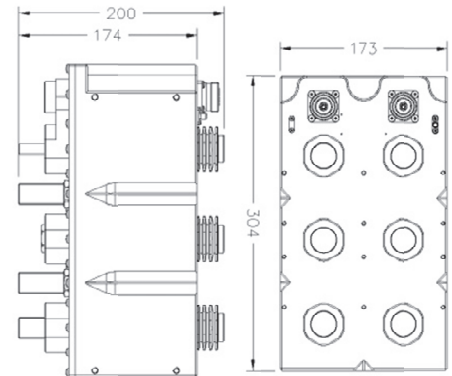


UHF DTV 6 poles bandpass filter • ≤ 750 W 
Electrical Specifications

| | | |
|---|-----------------------------|-----------|
| Filter type | Bandpass coaxial | |
| Order | 6 poles | |
| Cavity size | 80 mm | |
| Frequency range | 470-862 MHz | |
| Impedance | 50 Ohm | |
| Channel bandwidth | 6, 7, 8 MHz | |
| Maximum RMS output power handling up to 1500M ASL | BW 6, 7 MHz | BW 8 MHz |
| | Natural Cooling (FLDV-026C) | 600 W RMS |
| | Heat sinks (FLDV-026HSC) | 750 W RMS |
| Connectors | DIN 7/16 Female / EIA 7/8" | |
| Thermal stability | ≤ 2 kHz / °C | |


Mechanical & Environmental Specifications

| | |
|------------------------|--------------------|
| Dimensions (W x D x H) | 304 x 173 x 200 mm |
| Weight | 8.5 kg |
| Temperature range | -5°C to +55°C |
| Working position | Any |


Responses (1)
Channel bandwidth 8 MHz (typical DVB-T/T2)

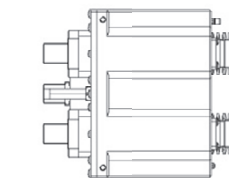
| | 470 MHz | 800 MHz |
|----------------------------------|------------------|-----------|
| Insertion loss f_0 | < 0.37 dB | < 0.43 dB |
| Insertion loss $f_0 \pm 3.8$ MHz | < 1.00 dB | < 1.15 dB |
| Insertion loss $f_0 \pm 3.9$ MHz | < 1.30 dB | < 1.45 dB |
| Attenuations: | | |
| $f_0 \pm 4.2$ MHz | > 4 dB | |
| $f_0 \pm 6$ MHz | > 20 dB | |
| $f_0 \pm 12$ MHz | > 41 dB | |
| VSWR | > 23 dB / < 1.15 | |
| Group delay | < 400 ns | |

Channel bandwidth 6 MHz (typical ISDB-T)

| | 470 MHz | 800 MHz |
|-----------------------------------|------------------|-----------|
| Insertion loss f_0 | < 0.52 dB | < 0.61 dB |
| Insertion loss $f_0 \pm 2.79$ MHz | < 1.40 dB | < 1.65 dB |
| Attenuations: | | |
| $f_0 \pm 3.15$ MHz | > 7 dB | |
| $f_0 \pm 4.5$ MHz | > 22 dB | |
| $f_0 \pm 9$ MHz | > 47 dB | |
| VSWR | > 25 dB / < 1.12 | |
| Group delay | < 450 ns | |

Channel bandwidth 6 MHz (typical ATSC)

| | 470 MHz | 800 MHz |
|----------------------------------|------------------|-----------|
| Insertion loss f_0 | < 0.52 dB | < 0.61 dB |
| Insertion loss $f_0 \pm 2.7$ MHz | < 0.90 dB | < 1.05 dB |
| Attenuations: | | |
| $f_0 \pm 3.5$ MHz | > 10 dB | |
| $f_0 \pm 6$ MHz | > 29 dB | |
| $f_0 \pm 9$ MHz | > 63 dB | |
| VSWR | > 26 dB / < 1.11 | |
| Group delay | < 250 ns | |


NOTES:

(1): Other frequency responses can be supplied. Please, ask RYMSA RF.

Optional accessories

| | 7/16 | 7/8" |
|---|----------|----------|
| Directional couplers at inputs and outputs (see page 150) | AC15-716 | AC15-078 |
| 19" Rack mounted | ✓ | |

The filter can be field returned to any frequency within specified band