
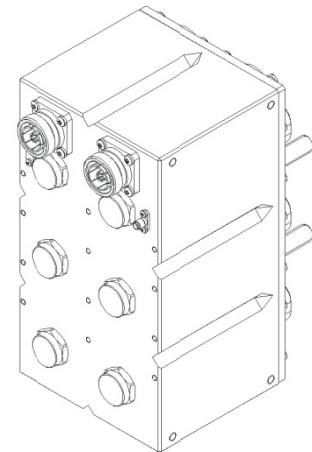


UHF DTV 6 poles bandpass filter • ≤ 400 W 
**Electrical Specifications**

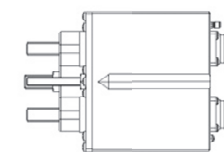
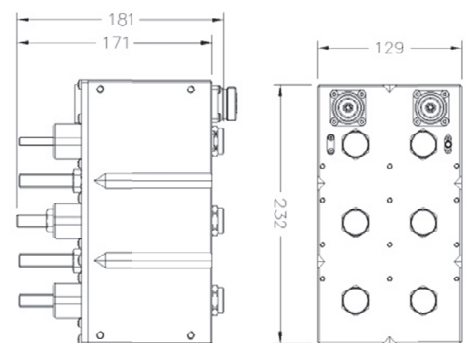
Filter type	Bandpass coaxial	
Order	6 poles	
Cavity size	60 mm	
Frequency range	470-862 MHz	
Impedance	50 Ohm	
Channel bandwidth	6, 7, 8 MHz	
Maximum RMS output power handling up to 1500M ASL	BW 6, 7 MHz	BW 8 MHz
Natural Cooling (FLDV-016C)	275 W	350 W
Heat sinks (FLDV-016HSC)	300 W	400 W
Connectors	DIN 7/16 Female / EIA 7/8"	
2 <sup>nd</sup> Harmonic attenuation	> 50 dB	
Thermal stability	≤ 2 kHz / °C	


**Mechanical & Environmental Specifications**

Dimensions (W x D x H)	232 x 129 x 181 mm
Weight	5.5 kg
Temperature range	-5°C to +55°C
Working position	Any

**Responses <sup>(1)</sup>**

Channel bandwidth 8 MHz (typical DVB-T/T2)		
	470 MHz	800 MHz
Insertion loss $f_0 \pm$	< 0.56 dB	< 0.59 dB
Insertion loss $f_0 \pm 3.8$ MHz	< 1.55 dB	< 1.65 dB
Insertion loss $f_0 \pm 3.9$ MHz	< 2.00 dB	< 2.05 dB
Attenuations:		
$f_0 \pm 4.2$ MHz	> 4 dB	
$f_0 \pm 6$ MHz	> 20 dB	
$f_0 \pm 12$ MHz	> 41 dB	
VSWR	> 23 dB / < 1.15	
Group delay	< 400 ns	
Channel bandwidth 6 MHz (typical ISDB-T)		
	470 MHz	800 MHz
Insertion loss $f_0$	< 0.79 dB	< 0.83 dB
Insertion loss $f_0 \pm 2.79$ MHz	< 2.20 dB	< 2.30 dB
Attenuations:		
$f_0 \pm 3.15$ MHz	> 7 dB	
$f_0 \pm 4.5$ MHz	> 22 dB	
$f_0 \pm 9$ MHz	> 47 dB	
VSWR	> 25 dB / < 1.12	
Group delay	< 450 ns	
Channel bandwidth 6 MHz (typical ATSC)		
	470 MHz	800 MHz
Insertion loss $f_0$	< 0.79 dB	< 0.83 dB
Insertion loss $f_0 \pm 2.7$ MHz	< 1.40 dB	< 1.50 dB
Attenuations:		
$f_0 \pm 3.5$ MHz	> 10 dB	
$f_0 \pm 6$ MHz	> 29 dB	
$f_0 \pm 9$ MHz	> 63dB	
VSWR	> 26 dB / < 1.11	
Group delay	< 250 ns	


**NOTES:**

(1): Other frequency responses can be supplied. Please, ask RYMSA RF.

**Optional accessories**

	7/16	7/8"
Directional couplers at inputs and outputs (see page 150)	AC15-716	AC15-078
19" Rack mounted	√	

**The filter can be field retuned to any frequency within specified band**