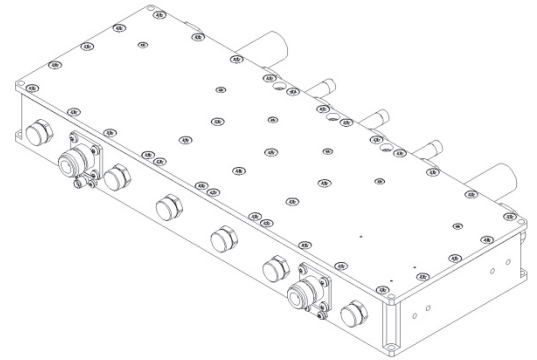


UHF DTV 6 poles bandpass filter • ≤ 150 W

Electrical Specifications

Filter type	Bandpass coaxial	
Order	6 poles	
Cavity size	30 mm	
Frequency range	470-862 MHz	
Impedance	50 Ohm	
Channel bandwidth	6, 7, 8 MHz	
Maximum RMS output power handling up to 1500M ASL Natural Cooling	BW 6, 7 MHz	BW 8 MHz
	110 W	150 W
Connectors	N Female / DIN 7/16 Female	
Thermal stability	≤ 2 kHz / °C	
Output directional coupler	SMA female connector	


Mechanical & Environmental Specifications

Dimensions (W x D x H)	324 x 42 x 172 mm
Weight	2.5 kg
Temperature range	-5°C to +55°C
Working position	Any

Responses ⁽¹⁾
Channel bandwidth 8 MHz (typical DVB-T/T2)

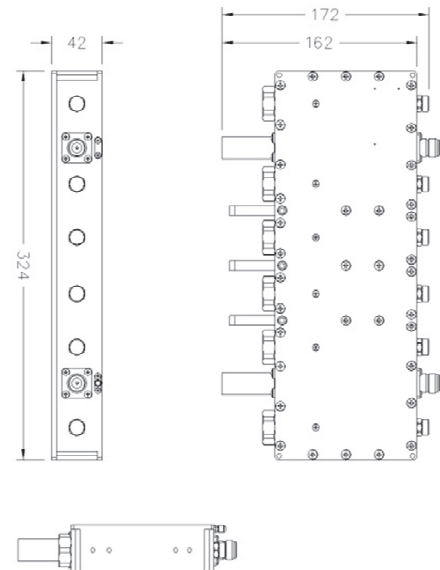
	470 MHz	800 MHz
Insertion loss f_0	< 1.03 dB	< 1.03 dB
Insertion loss $f_0 \pm 3.8$ MHz	< 2.55 dB	< 2.55 dB
Insertion loss $f_0 \pm 3.9$ MHz	< 2.80 dB	< 2.80 dB
Attenuations:		
$f_0 \pm 4.2$ MHz	> 4 dB	
$f_0 \pm 6$ MHz	> 18 dB	
$f_0 \pm 12$ MHz	> 40 dB	
VSWR	> 24 dB / < 1.13	
Group delay	< 300 ns	

Channel bandwidth 6 MHz (typical ISDB-T)

	470 MHz	800 MHz
Insertion loss f_0	< 1.34 dB	< 1.34 dB
Insertion loss $f_0 \pm 2.79$ MHz	< 3.30 dB	< 3.30 dB
Attenuations:		
$f_0 \pm 3.15$ MHz	> 5 dB	
$f_0 \pm 4.5$ MHz	> 18 dB	
$f_0 \pm 9$ MHz	> 38 dB	
VSWR	> 25 dB / < 1.12	
Group delay	< 300 ns	

Channel bandwidth 6 MHz (typical ATSC)

	470 MHz	800 MHz
Insertion loss f_0	< 1.23 dB	< 1.23 dB
Insertion loss $f_0 \pm 2.7$ MHz	< 2.30 dB	< 2.30 dB
Attenuations:		
$f_0 \pm 3.5$ MHz	> 10 dB	
$f_0 \pm 6$ MHz	> 24 dB	
$f_0 \pm 9$ MHz	> 36 dB	
VSWR	> 25 dB / < 1.12	
Group delay	< 150 ns	


NOTES:

(1): Other frequency responses can be supplied. Please, ask RYMSA RF.

Optional accessories

19 " Rack mounted	√
-------------------	---

The filter can be field retuned to any frequency within specified band