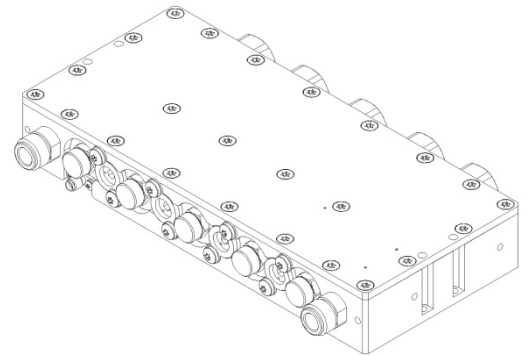


UHF DTV 5 poles bandpass filter • ≤ 80 W

**Electrical Specifications**

Filter type	Bandpass coaxial	
Order	5 poles	
Cavity size	20 mm	
Frequency range	470-862 MHz	
Impedance	50 Ohm	
Channel bandwidth	6, 7, 8 MHz	
Maximum RMS output power handling up to 1500M ASL Natural Cooling	BW 6, 7 MHz	BW 8 MHz
	60 W	80 W
Connectors	N female	
Thermal stability	≤ 15 kHz / °C	
Output directional coupler	SMA female connector	


**Mechanical & Environmental Specifications**

Dimensions (W x D x H)	222 x 34 x 130 mm
Weight	1.5 kg
Temperature range	-5°C to +55°C
Working position	Any

**Responses (1)**
**Channel bandwidth 8 MHz (typical DVB-T/T2)**

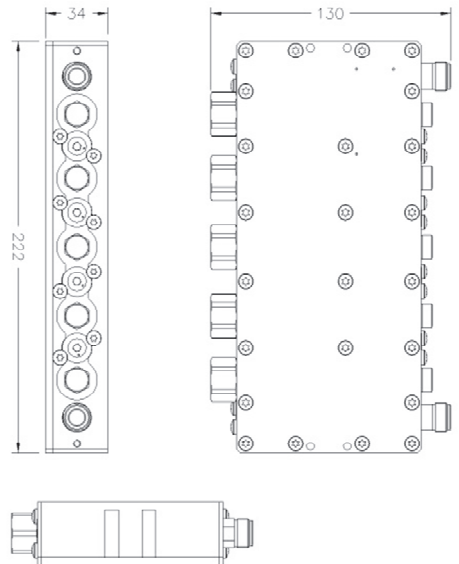
	470 MHz	800 MHz
Insertion loss $f_0$	< 1.27 dB	< 1.27 dB
Insertion loss $f_0 \pm 3.8$ MHz	< 1.85 dB	< 1.85 dB
Insertion loss $f_0 \pm 3.9$ MHz	< 1.90 dB	< 1.90 dB
Attenuations:		
$f_0 \pm 6$ MHz	> 10 dB	
$f_0 \pm 12$ MHz	> 36 dB	
VSWR	>24 dB / < 1.13:1	
Group delay	< 60 ns	

**Channel bandwidth 6 MHz (typical ISDB-T)**

	470 MHz	800 MHz
Insertion loss $f_0$	< 1.57 dB	< 1.57 dB
Insertion loss $f_0 \pm 2.79$ MHz	< 2.25 dB	< 2.25 dB
Attenuations:		
$f_0 \pm 4.5$ MHz	> 10 dB	
$f_0 \pm 9$ MHz	> 40 dB	
VSWR	>24 dB / < 1.12	
Group delay	< 60 ns	

**Channel bandwidth 7.6 MHz (typical ATSC)**

	470 MHz	800 MHz
Insertion loss $f_0$	< 1.59 dB	< 1.59 dB
Insertion loss $f_0 \pm 2.7$ MHz	< 2.15 dB	< 2.15 dB
Attenuations:		
$f_0 \pm 6$ MHz	> 24 dB	
$f_0 \pm 9$ MHz	> 36 dB	
VSWR	>24 dB / < 1.13:1	
Group delay	< 60 ns	


**NOTES:**

(1): Other frequency responses can be supplied. Please, ask RYMSA RF.

**Optional accessories**

19" Rack mounted	✓
------------------	---

**The filter can be field retuned to any frequency within specified band**