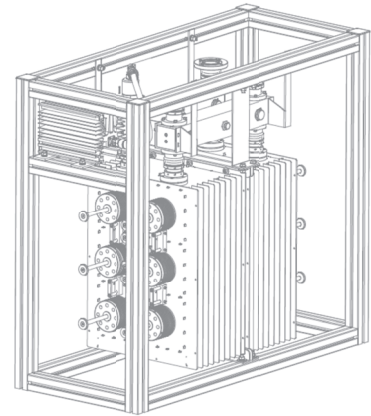


UHF DTV 6 poles CIB combiner • ≤ 5 kW NB 

Electrical Specifications

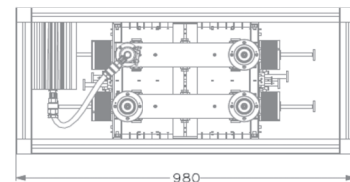
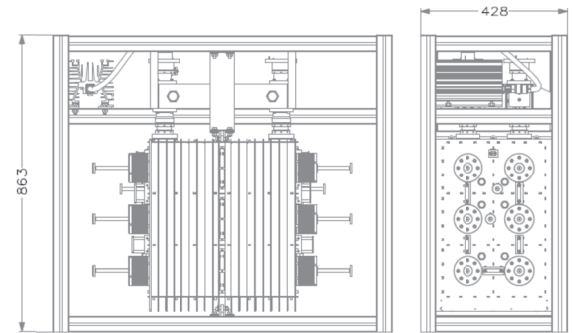
Filter type	FLDV-156HS (150 mm)
Order of the bandpass filter	6 with internal feedback
Frequency range	470-862 MHz
Type	Constant impedance
Impedance	50 Ohm
Recommended min. channel spacing	≥ 0
Max. power handling (NB/WB/Output)	
DPDV-446HS	5/5/5 kW RMS
DPDV-456HS	5/5/10 kW RMS
DPDV-456HPS	5/15/15 kW RMS
DPDV-466HS	5/25/25 kW RMS
Connectors (NB/WB/Output)	
DPDV-446HS	1 5/8" / 1 5/8" / 1 5/8" unfl.
DPDV-456HS, DPDV-456HPS	1 5/8" / 3 1/8" / 3 1/8" unfl.
DPDV-466HS	1 5/8" / 4 1/2" / 4 1/2" unfl.
Channel bandwidth	6, 7, 8 MHz
VSWR	≤ 1.10:1
Insertion Loss (NB/WB)	≤ 0.45 dB / ≤ 0.1 dB
Isolation	≥ 35 dB
Group delay variation	≤ 350 ns
Thermal stability	≤ 2 kHz / °C
Thermoswitch at EQ load	Yes
Cooling	Heatsink



DPDV-446HS model

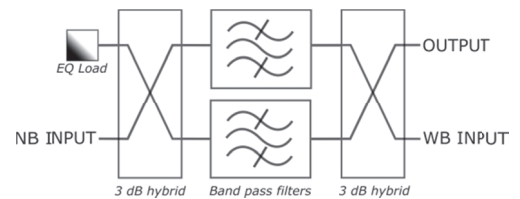
Mechanical & Environmental Specifications

Dimensions (W x D x H) (rack incl.)	428 x 980 x 863 mm
Weight	88 kg
Temperature range	-10°C to +50°C
Working position	Any



Optional Accessories

	1 5/8"	3 1/8"	4 1/2"
Directional couplers at inputs and Outputs (see page 150)	AC15-158	AC15-318	AC15-412
Unflanged to flanged adapters (see page 149)	TR22-123	TR24-125	TR30-131
Rack mounted	√		



The combiner can be field retuned to any frequency within specified band