
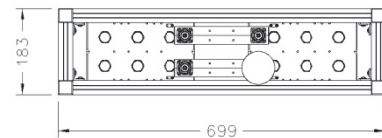
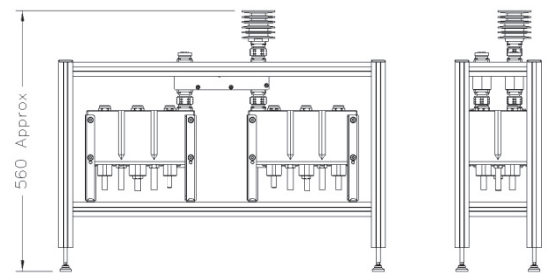
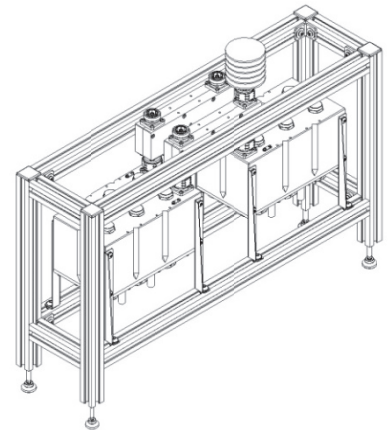


UHF DTV 6 poles CIB combiner • ≤ 800 W NB 

Electrical Specifications

Filter type	FLDV-016C (60 mm)	
Order of the bandpass filter	6 with cross coupling	
Frequency range	470-862 MHz	
Type	Constant impedance	
Impedance	50 Ohm	
Minimum channel spacing	≥ 0	
Max. power handling (NB/WB/Output)	ISDB-T / ATSC	DVB-T/T2
	natural	0.55/1.95/2.5 kW RMS
Heat sinks	0.60/1.90/2.5 kW RMS	0.80/1.7/2.5 kW RMS
Connectors (NB/WB/Output)	DIN 7/16 / EIA 7/8" /EIA 7/8"	
Channel bandwidth	6, 7, 8 MHz	
VSWR	$\leq 1.10:1$	
Insertion Loss (NB/WB)	≤ 0.83 dB / ≤ 0.1 dB	
Isolation	≥ 30 dB	
Group delay variation	≤ 450 ns	
Thermal stability	≤ 2 kHz / °C	
Thermoswitch at EQ load	Yes	

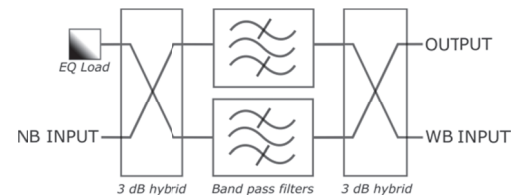


Mechanical & Environmental Specifications

Dimensions (W x D x H) (rack incl.)	699 x 183 x 560 mm
Weight	19 kg
Temperature range	-10°C to +50°C
Working position	Any

Optional Accessories

	7/16	7/8"
Directional couplers at inputs and outputs (see page 150)	AC15-716	AC15-078
19" Rack mounted	√	



The combiner can be field retuned to any frequency within specified band