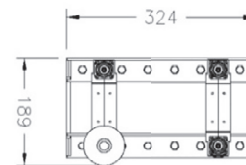
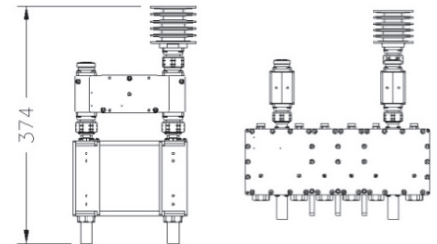
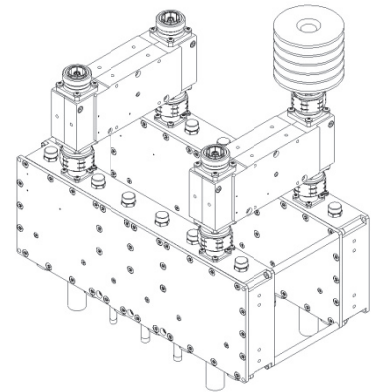


UHF DTV 6 poles CIB combiner • ≤ 300 W NB

Electrical Specifications

Filter type	FLDV-006 (30 mm)	
Order of the bandpass filter	6 with cross coupling	
Frequency range	470-862 MHz	
Type	Constant impedance	
Impedance	50 Ohm	
Minimum channel spacing	≥ 0	
Max. power handling (NB/WB/Output) DPDV-006C	ISDB-T / ATSC	DVB-T/T2
	0.23/2.27/2.5 kW RMS	0.30/2.2/2.5 kW RMS
Connectors (NB/WB/Output)	DIN 7/16 / EIA 7/8" / EIA 7/8"	
Channel bandwidth	6, 7, 8 MHz	
VSWR	≤ 1.10:1	
Insertion Loss (NB/WB)	≤ 1.34 dB / ≤ 0.1 dB	
Isolation	≥ 30 dB	
Group delay variation	≤ 300 ns	
Thermal stability	≤ 2 kHz / °C	
Thermoswitch at EQ load	Yes	



Mechanical & Environmental Specifications

Dimensions (W x D x H) (rack incl.)	189 x 324 x 374 mm
Weight	7.5 kg
Temperature range	-10°C to +50°C
Working position	Any

Optional Accessories

	7/16	7/8"
Directional couplers at inputs and outputs (see page 150)	AC15-716	AC15-078
19" Rack mounted	√	

The combiner can be field returned to any frequency within specified band

