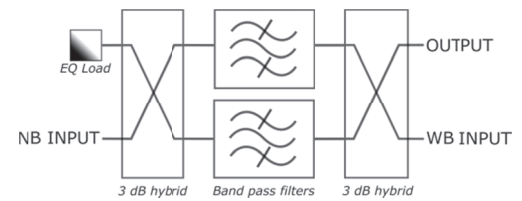
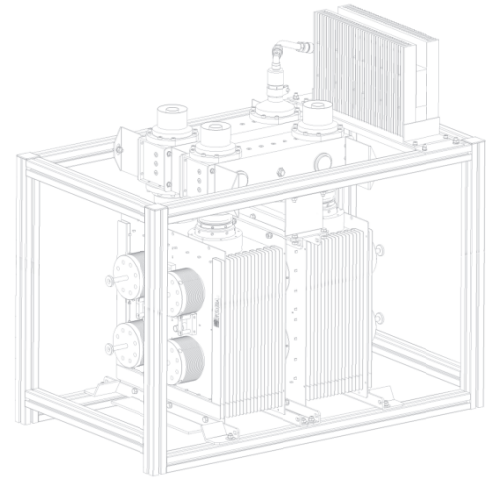


UHF ATV 4 poles CIB combiner • ≤ 20 kW NB

Electrical Specifications

| | | |
|---------------------------------------|---------------------------------|--|
| Order of the bandpass filter | | |
| DP15-194 | | 4 |
| Frequency range | | 470-862 MHz |
| Type | | Constant impedance |
| Impedance | | 50 Ohm |
| Minimum frequency spacing | | |
| DP15-194 ⁽¹⁾ | | 2 guard channels |
| Maximum power handling (NB/WB/Output) | | 20/40/40 kW peak sync 14/28/28 kW RMS |
| Input connectors (NB/WB) | | |
| DP15-194 | | 3 1/8" unfl. / 4 1/2" unfl. |
| Output connector | | |
| DP15-194 | | 4 1/2" unfl. |
| Channel bandwidth | | 6, 7, 8 MHz |
| VSWR | Narrowband input | ≤ 1.08:1 |
| | Wideband input | ≤ 1.10:1 |
| Insertion loss | Narrowband input ⁽²⁾ | ≤ 0.30 dB |
| | Wideband input | ≤ 0.15 dB |
| Isolation | | DP15-560 (≥ 40 dB) / |
| Thermoswitch at EQ load | | DP15-560 (Yes) / |



Mechanical & Environmental Specifications

| | | |
|------------------------|--|--------------------|
| Dimensions (W x D x H) | | |
| DP15-560 | | 641 x 990 x 780 mm |
| Temperature range | | -10°C to +50°C |

Optional accessories

- Directional couplers at inputs and output
- Unflanged to flanged adapters at inputs
- Band pass filter on wideband input ⁽³⁾

The combiner can be field returned to any frequency within specified band

NOTES:

- (1): One channel frequency spacing can be achieved by sacrificing the transmission response figures.
- (2): Typical specifications for 8 MHz channels. Ask RYMSA RF for other cases.
- (3): The use of an extra filter connected to the wideband input enhances the isolation between inputs, thus reducing the possible generation of inter-mod products.