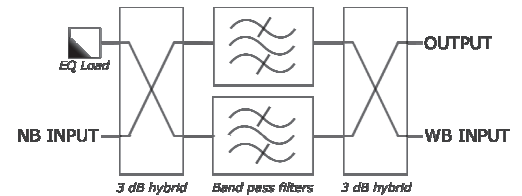
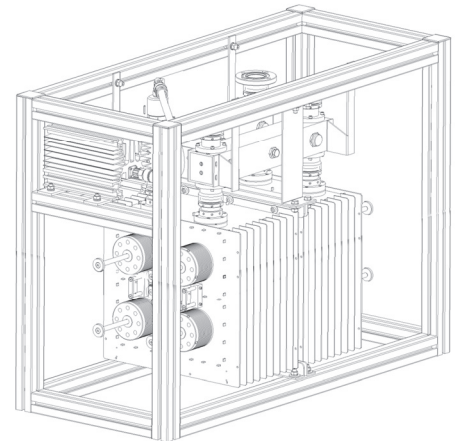


UHF ATV 4 poles CIB combiner • ≤ 5 kW NB

Electrical Specifications

Order of the bandpass filter	4	
Frequency range	470-862 MHz	
Type	Constant impedance	
Impedance	50 Ohm	
Minimum frequency spacing ⁽¹⁾	2 guard channels	
Max. power handling (NB/WB/Output) ⁽²⁾	5/10/10 kW peak sync, 3.5/7/7 kW RMS	
Input connectors (NB/WB)	1 5/8" Unfl. / 3 1/8" Unfl.	
Output connector	3 1/8" Unfl.	
Channel bandwidth	6, 7, 8 MHz	
VSWR	Narrowband input	≤ 1.08:1
	Wideband input	≤ 1.10:1
Insertion loss	Narrowband input ⁽³⁾	≤ 0.3 dB
	Wideband input	≤ 0.1 dB
Isolation	≥ 40 dB	
Thermoswitch at EQ load	Yes	



Mechanical & Environmental Specifications

Dimensions (W x D x H)	625 x 780 x 1600 mm	
Temperature range	-10°C to +50°C	
Working position	Any	

Optional accessories

- Directional couplers at inputs and output
- Unflanged to flanged adapters at inputs and output
- Band pass filter on wideband input ⁽⁴⁾

The combiner can be field retuned to any frequency within specified band

NOTES:

- (1): One channel frequency spacing can be achieved by sacrificing the transmission response figures.
- (2): See section Environmental Conditions for an accurate application of power handling data.
- (3): Typical specifications for 8 MHz channels. Ask RYMSA RF for other cases.
- (4): The use of an extra filter connected to the wideband input enhances the isolation between inputs, thus reducing the possible generation of inter-mod products.