

RYMSA RF supplies 50 Ohm flanged 9 3/16" rigid line sections for indoor applications. The inner conductor is made in copper, and the outer conductor is made in aluminium. The outer conductor can be supplied either as such or with a standard EIA flanged factory welded.

RYMSA RF also manufactures the related rigid coaxial accessories such as rigid line coupling elements, devoted to enable the connection between sections of unflanged rigid line, flanged elbows, inner and adapters.

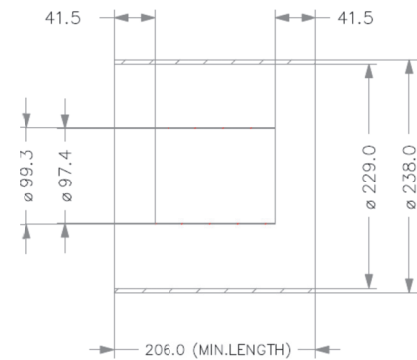
Both the rigid line and the corresponding accessories are manufactured optimizing the VSWR and insertion loss values.

### Rigid line conductors

Frequency range	DC-552 MHz			
Impedance	50 Ohm			
Maximum power handling <sup>(1)</sup>	70 MHz 455 KW	100 MHz 380 KW	200 MHz 270 KW	500 MHz 170 KW
RF Peak Voltage at sea level	26.7 KV			
Insertion loss (dB/100m) <sup>(2)</sup>	70 MHz 0.087	100 MHz 0.104	200 MHz 0.147	500 MHz 0.233
Maximum Length section	5 m			
Materials	Outer conductor	Aluminium		
	Inner conductor	Copper		
Temperature range	-10°C to +50°C			

Line Size	Conductor	Material	Reference
9 3/16"	Outer with two welded flanged	Aluminium	LR40-313
9 3/16"	inner	Copper	LR40-313

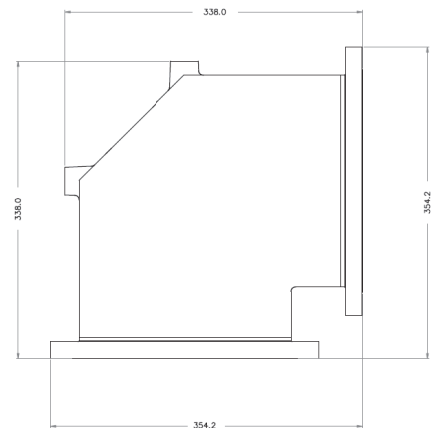
<sup>(1)</sup> This value is referred to ambient temperature of +40°C and VSWR 1.0  
<sup>(2)</sup> This value is referred to ambient temperature of +20°C



### Flanged Elbow

This element enables a direct connection to a rigid line standard Flanged 9 3/16" termination

<b>Model</b>	<b>CD40-400</b>	
Frequency range	DC-552 MHz	
Impedance	50 Ohm	
VSWR	<1.03:1	
Insertion loss	Negligible	
Max. Power and voltage	According to line size	
Materials	Outer conductor	Aluminium
	Inner conductor	Silver plated brass
	Isolator	PTFE
	Finishing	Chromatized plating
Temperature range	-10°C to +50°C	



### Inner connector

This element enables the connection between two standards EIA flanged Coaxial transmission line terminations

<b>Model</b>	<b>LR40-600</b>	
Max. Power and voltage	According to line size	
Materials	Conductor	Brass
	Isolator	PTFE
	Finishing	White brass
Temperature range	-10°C to +50°C	

